

SPECIFICATIONS

Mechanical

Mating Force: 4Pounds Max.
Unmating Force: 4Pounds Max.
Durability: 1000 Cycles

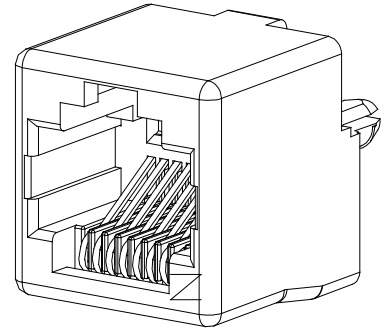
Electrical

Current Rating: 1.5A Max.
Voltage Rating: 150 VAC
Dielectric Withstanding Voltage: 1000V Contact To Contact

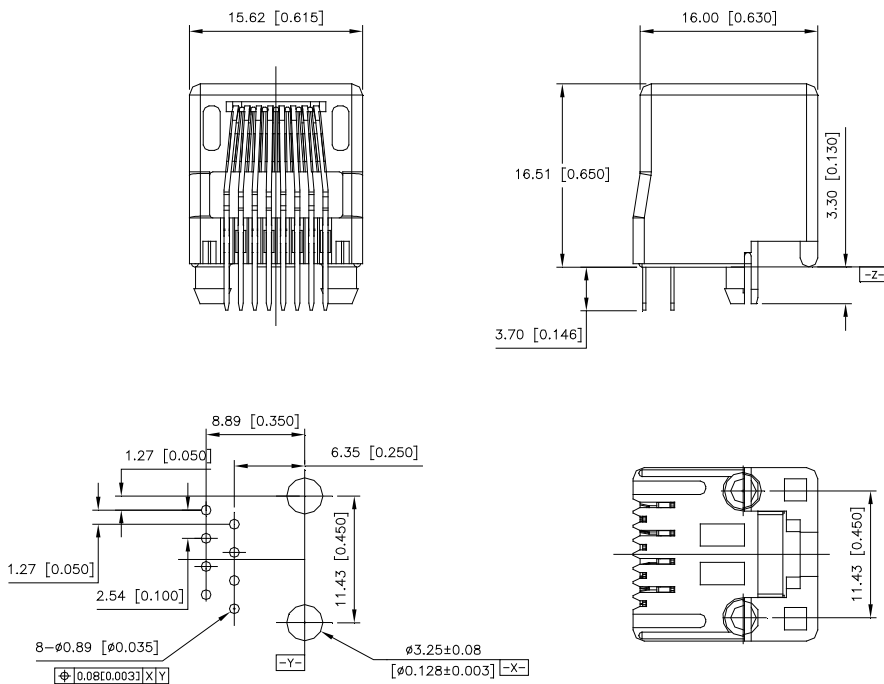
Physical

Housing: Thermoplastic, UL 94V-0 Rated In Black Color
Contact: Copper Alloy
Operating Temperature: 0°C to +70°C

JM SERIES
RJ45 T/H CONNECTOR
VERTICAL ALL PLASTIC
1.27mm [.050"] Pitch



DRAWING



RECOMMENDED PCB LAYOUT
 PCB THICKNESS: 1.57mm[0.062"] MAX.

ORDERING INFORMATION

PRODUCT NO.: JM 0 1 1 1 5 - K004 - 4 F

